

92. Unilift

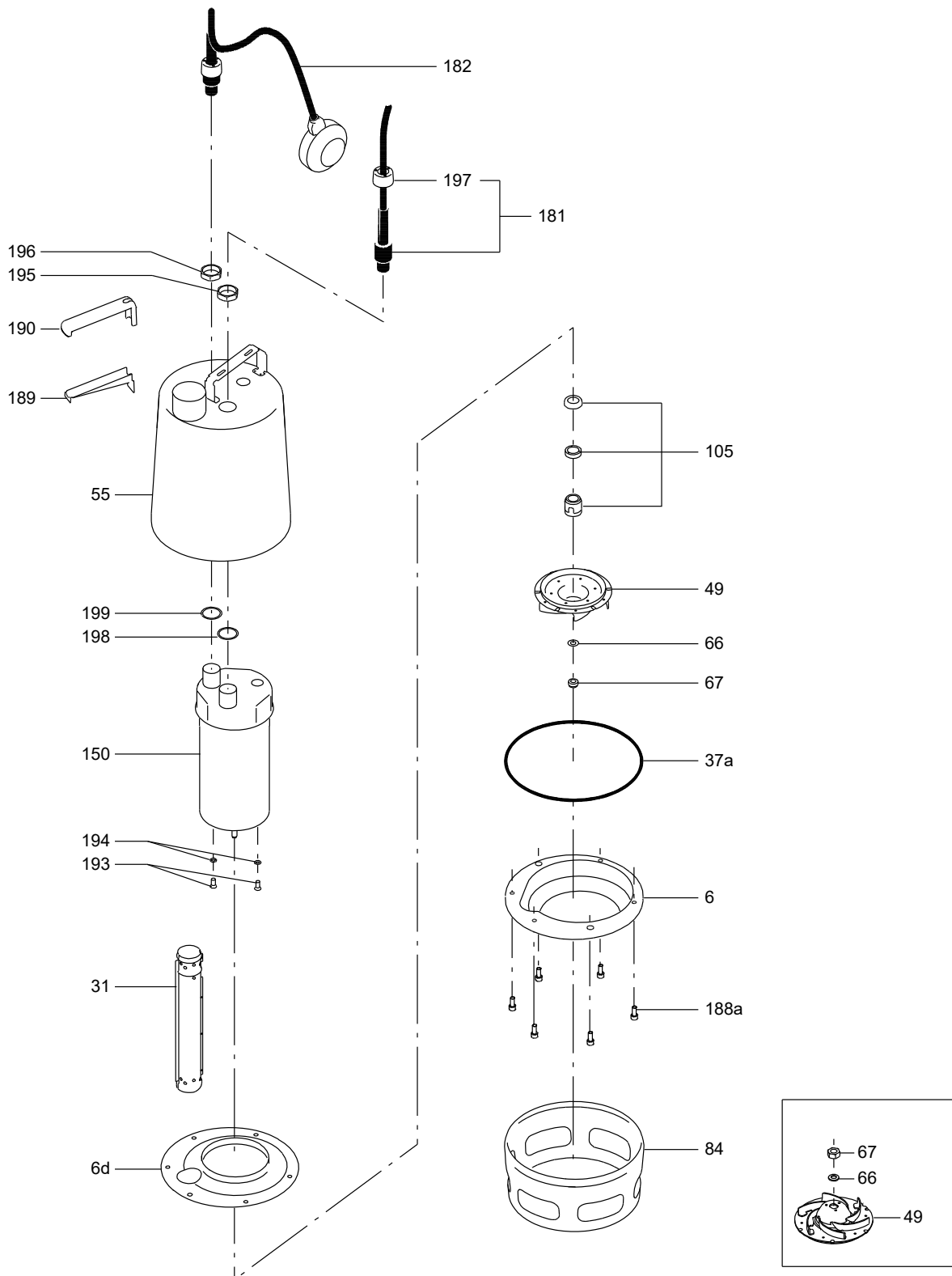
Unilift AP12, 35, 50

50/60 Hz

Shaft seal

Pos.	Pump types	Produced before 0321 (yyww)	
	Material	BQQP	BQQV
	Kit No	96427804	96426650
Description			
37a	O-ring	1	1
66	Washer	1	1
67	Lock nut	1	1
67a	Protective cap	1	1
105	Shaft seal	1	1
188a	Screw	6	6
193	Screw	2	2
194	O-ring	2	2
198	O-ring	2	2
199	O-ring	1	1
-	Oil for motor	1	1

Unilift AP12, 35, 50



TM025230

Unilift AP35B, AP50B

Shaft seal

Pos.	Pump type	Produced before 0321 (yyww)	
	Kit No	96429307	96429308
	Description	BQQP	BQQV
37	O-ring	1	1
37a	O-ring	1	1
66	Lock washer	1	1
67	Nut M10	1	1
105a	Shaft seal	1	1
193	Screw	2	2
194	O-ring	2	2
-	Oil for motor	1	1

Cable (new type)

Plug type	Schuko	Schuko	Schuko	None	None
Kit No	16701	16702	16734	16730	16731
Switch	Float switch	-	Float switch	-	-
Phase	1	1	1	3	3
Cable lenght [m]	10	10	5	5	10
Nut	2	2	2	2	2
Washer	2	2	2	2	2
Cable complete	1	1	1	1	1

Cable (old type)

Kit No	96429309	96429310
Description	Automatic	Manual
Motor plug housing	1	1
Intermediate plug	1	1
AMP terminals for power supply	1 set	1 set
AMP terminals for earth conductors	1 set	1 set
Oetiker rings	1 set	1 set
Cable entry with 1 hole	-	1
Cable entry with 2 holes	1	-
Rubber grommet for three-phase	-	1

Cable

Pos.	Kit No	96487149
	Description	DN 40
182	Cable	1

Upper guide rail holder

Pos.	Kit No	96829356
-	Upper guide rail 3/4"	1

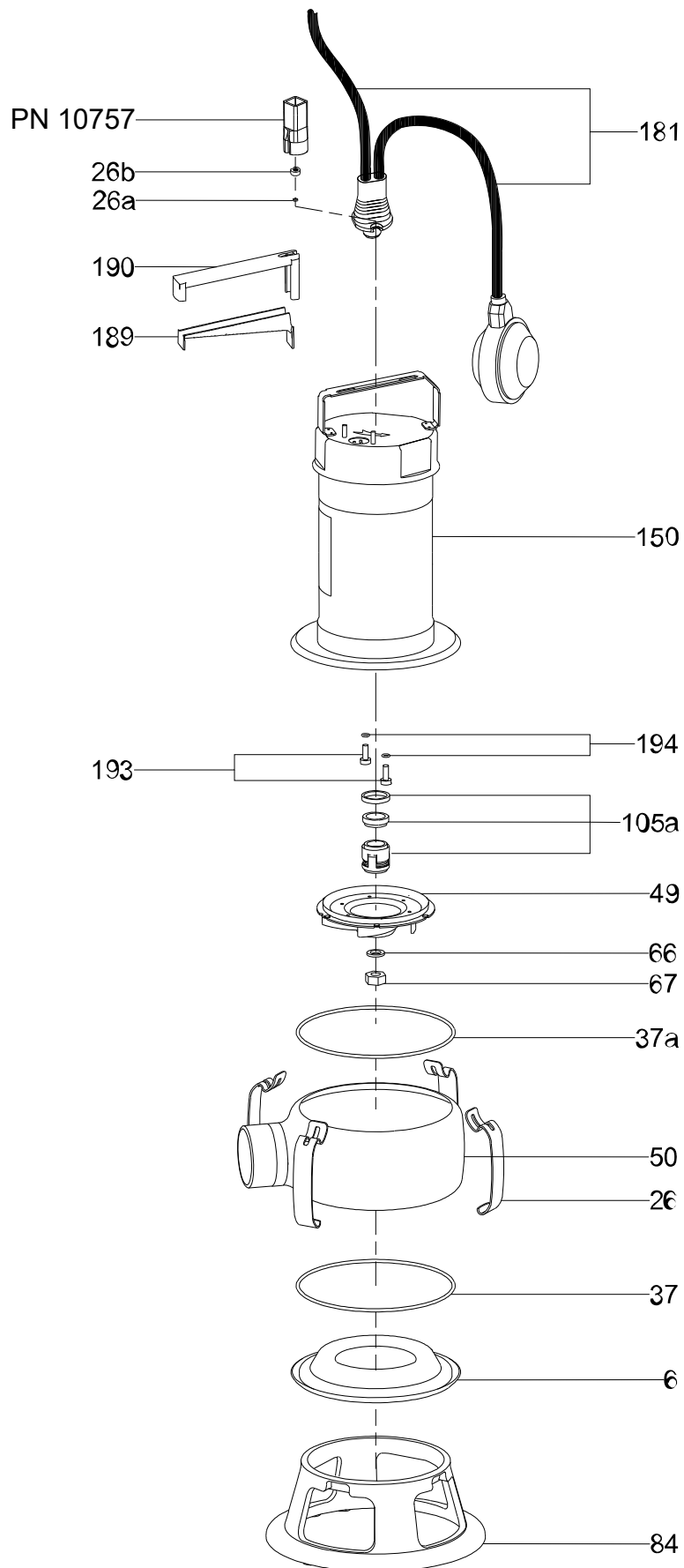
Guide shoe

Pos.	Outlet	Rp 2	NPT 2
	Description	NBR	NBR
	Kit No	97771479	97771485
-	Rubber seal for guide shoe	1	1
-	Guide shoe	1	1

SmartSeal

Pos.	Kit No	Rp 2/NPT 2
	Description	NBR
	Kit No	97771488
-	SmartSeal for guide shoe	1

Unilift AP35B, AP50B



TM039124

Unilift CC 5, 7, 9

50/60 Hz

Bottom part

Pos.	Description	CC 5, 7, 9
	Kit No	97530921
50	Pump housing, inlet	1
37a	O-ring	1

Cable

Pos.	Description	50 Hz						60 Hz	
		CC 5			CC 7, CC 9			115 V	230 V
		Kit No	96578971	97825411	97825415	96578972	97825435	97825438	97513318
	Plug type	Schuko	Australia	None	Schuko	Australia	None	US	US
181	Cable, 10 m	1	1	1	1	1	1	-	-
	Cable, 32 ft	-	-	-	-	-	-	1	1
250	Cable entry	1	1	1	1	1	1	1	1
250a	Cable relief	1	1	1	1	1	1	1	1
48a	O-ring	1	1	1	1	1	1	1	1
48b	Cable crimp	3	3	3	3	3	3	3	3

Discharge connection

Pos.	Pump type	Unilift CC 5, 7, 9	Unilift CC 5, 7, 9
	Kit No	97825319	97825327
	Thread type	G	NPT
149b	Discharge connection	1	1
149a	O-ring	1	-
130a	Discharge elbow GAS 1 1/4 - GAS 1 1/4	1	1

Float switch

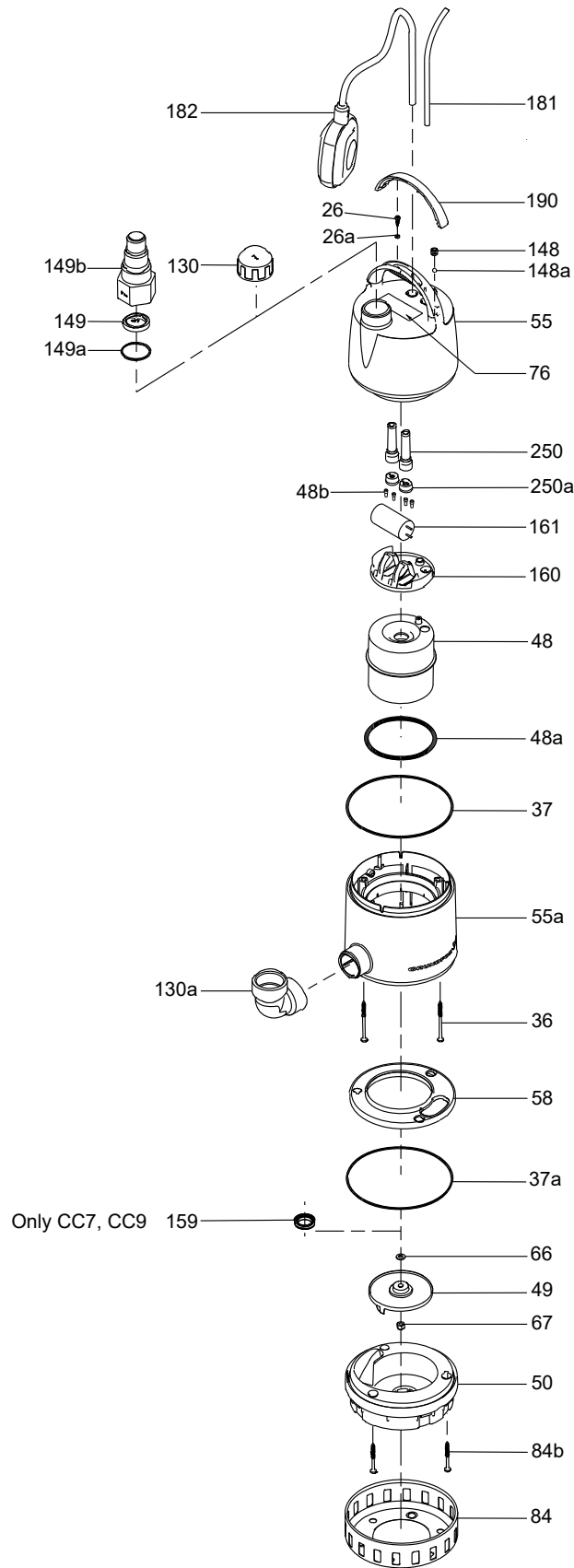
Pos.	Pump type	Unilift CC 5, 7, 9	Unilift CC 5, 7, 9
	Frequency	50 Hz	60 Hz
	Kit No	96578970	97513612
182	Float switch	1	1
250	Cable entry	1	1
250a	Cable relief	1	1
48a	O-ring	1	1
48b	Cable crimp	4	4

Impeller

Pos.	Description	50 Hz			60 Hz		
		CC 5	CC 7	CC 9	CC 5	CC 7	CC 9
		Kit No	96578967	96578968	96578969	97512794	97512822
48a	O-ring	1	1	1	1	1	1
49	Impeller	1	1	1	1	1	1
66	Washer	1	1	1	1	1	1
67	Nut	1	1	1	1	1	1
159	V-ring	-	1	1	-	1	1

Motor

Pos.	Description	50/60 Hz			60 Hz		
		230			115 V		
		CC 5	CC 7	CC 9	CC 5	CC 7	CC 9
Kit No	96578973	96578974	96578975	97513772	97513776	97513778	
48	Motor	1	1	1	1	1	1
48a	O-ring	1	1	1	1	1	1
48b	Cable crimp	3	3	3	3	3	3



TM031101

Flap valve

Pos.	Pumpe type	Unilift CC 5, 7, 9
	Kit No	97825322
149	Rubber flap valve	1
149a	O-ring	1

O-ring

Pos.	Pumpe type	Unilift CC 5, 7, 9
	Kit No	98561387
48a	O-ring	1
37a	O-ring	2
149a	O-ring	1

Spare part and bulk parts**Capacitor**

Pos.	Description	50/60 Hz	50 Hz	60 Hz		
		230 V	230 V	115 V		230 V
		CC 5	CC 7, CC 9	CC 5, 7	CC 9	CC 7, 9
		Kit No	96578976	96578977	97825310	97825316
161	Capacitor	10	10	10	10	10
48b	Cable crimp	20	20	20	20	20

Discharge connection

Pos.	Pumpe type	Unilift CC 5, 7, 9	Unilift CC 5, 7, 9
	Kit No	96578979	97825317
	Thread type	G	NPT
149b	Discharge connection	10	10
149a	O-ring	1	-

Flap valve

Pos.	Pumpe type	Unilift CC 5, 7, 9
	Kit No	96578978
149	Rubber flap valve	10
149a	O-ring	-

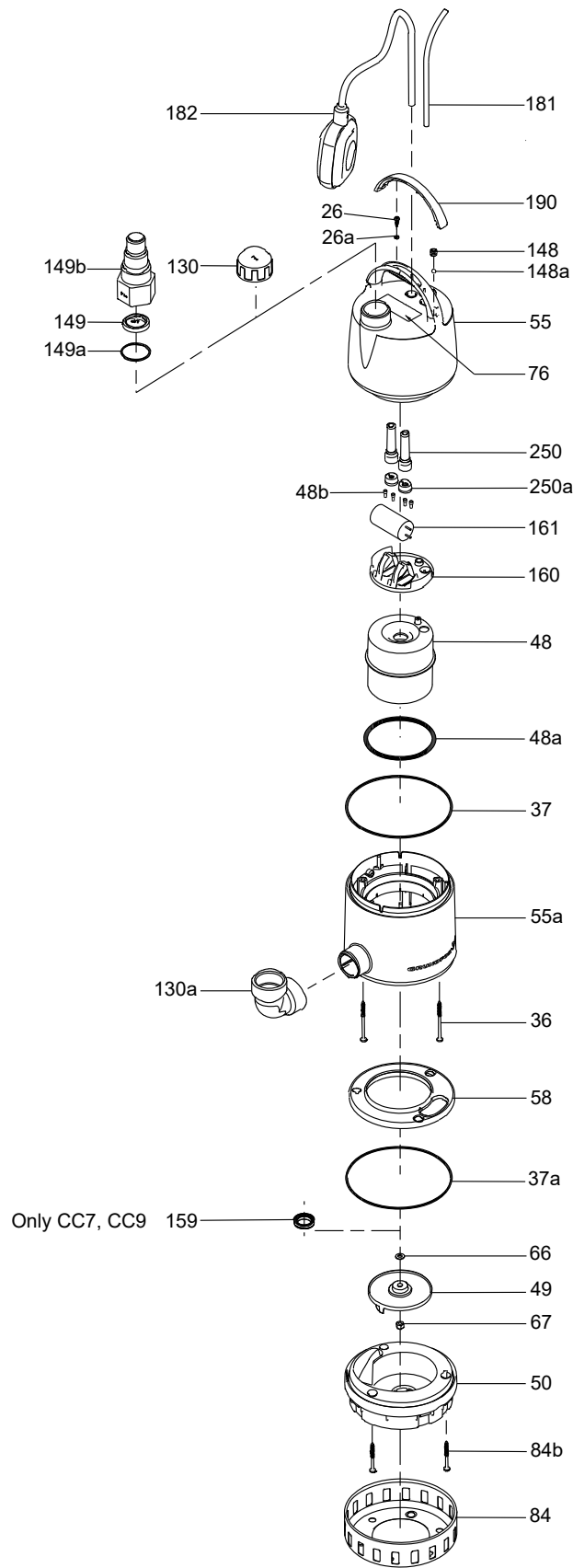
Handle cover

Pos.	Pumpe type	Unilift CC 5, 7, 9
	Kit No	96622011
190	Handle cover	10

Strainer

Pos.	Pumpe type	Unilift CC 5, 7, 9
	Kit No	96578990
84	Strainer	1

Unilift CC 5, 7, 9



TM031101

Unilift KP

50/60 Hz, Models A, B, C

Bearing

Pos.	Pump type	All
Description/kit No		96551553
188	Bearing complete	1

Cable

Pos.	Plug type	Australia		CEE		CH		
		Kit No	16715	16716	16735	16736	16712	16710
	Phase	1	1	3	3	1	1	1
	Cable length [m]	5	5	5	10	10	3	10
26	Nut	2	2	2	2	2	2	2
26a	Washer	2	2	2	2	2	2	2
181	Cable	1		1	1	1		
	Cable with float switch		1				1	1

Pos.	Plug type	DK		
		Kit No	16707	16705
	Phase	1	1	1
	Cable length [m]	10	3	10
26	Nut	2	2	2
26a	Washer	2	2	2
181	Cable	1	-	-
	Cable with float switch		1	1

Pos.	Plug type	Schuko					US		No plug	
		Kit No	16702	16703	16700	16701	16704	16728	16729	16725
	Phase	1	1	1	1	1	1, 115 V			
	Cable length	10 m	3 m	3 m	10 m	10 m	10 ft	25 ft	5 m	5 m
26	Nut	2	2	2	2	2	2	2	2	2
26a	Washer	2	2	2	2	2	2	2	2	2
181	Cable	1	-	-	-	-	1	1	1	-
	Cable with float switch	-	-	1	1	-	-	-	-	-
	Cable with level switch	-	1	-	-	1	-	-	-	1

Impeller, 50 Hz

Pos.	Model:	A and B		C	
		A and B	A and B	C	
				1 x 100-110 V 3 x 200 V 3 x 380-400 V	1 x 220-240 V as from 0108 (yyww)
				1 x 220-240 V until 0108 (yyww)	
	Pump type	150	250	350	350
	Kit No	015778	015779	015785	015787
	Description				
37	Sealing part	1	1	1	1
49	Impeller	1	1	1	1
67	Lock nut	1	1	1	1

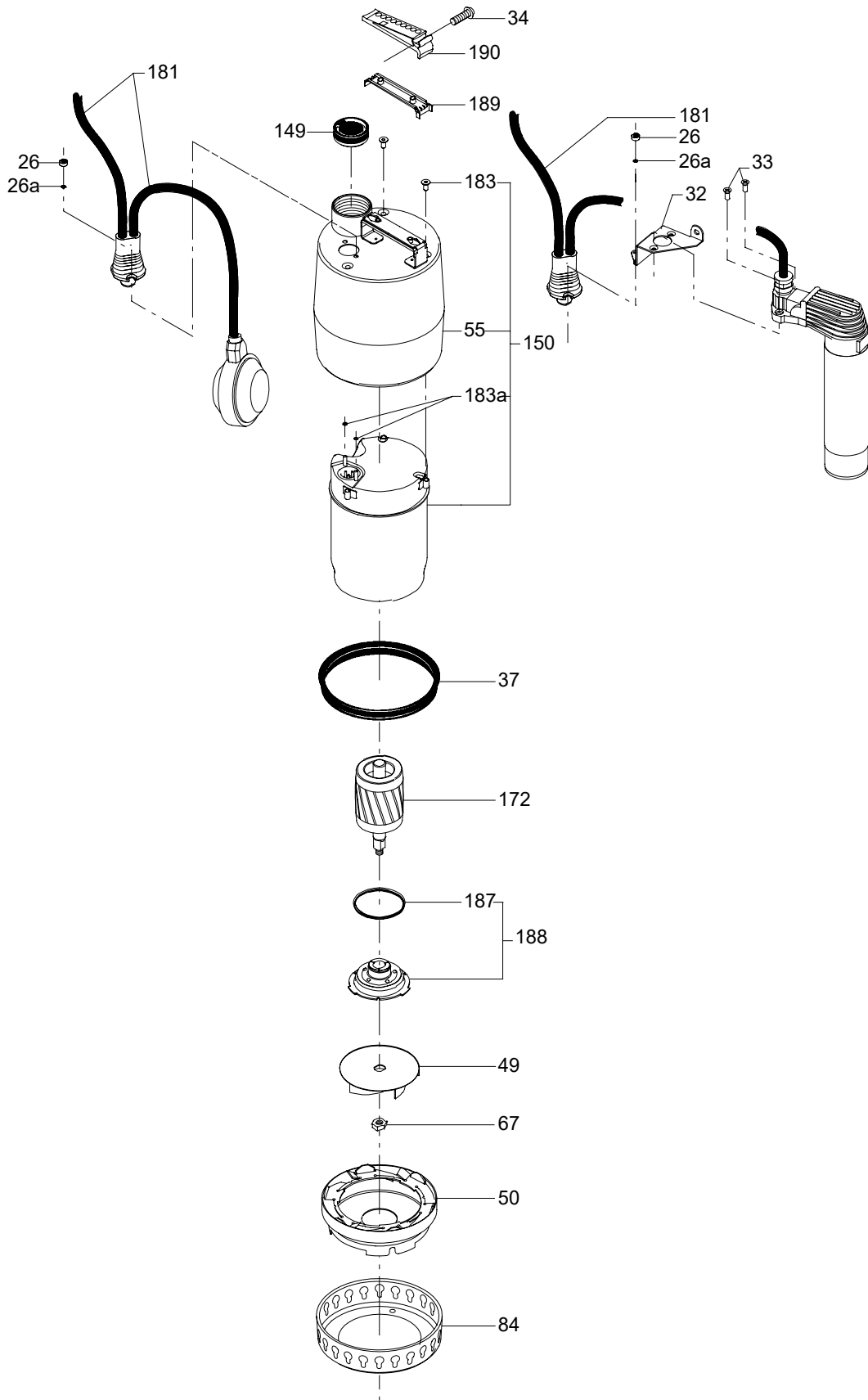
Impeller, 60 Hz

Model		A and B		C
Pos.	Pump type	150	250	350
	Kit No	015783	015784	015786
Description				
37	Sealing part	1	1	1
49	Impeller	1	1	1
67	Lock nut	1	1	1

Strainer

Pump type		150, 250	350
Pos.	Description/kit No	96548064	96548066
84	Strainer	1	1

Unilift KP



TM001639

Guide shoe

Pos.	Outlet	Rp 2	NPT 2
	Rubber type	NBR	NBR
	Kit No	97771479	97771485
Description			
-	Rubber seal for guide shoe	1	1
-	Guide shoe	1	1

Rubber valve

Pos.	Pump type	All
	Description/kit No	15220
149	Rubber valve	1

Shaft with rotor

Pos.	Pump type	150	250	350	
		50 Hz 220-240 V	50/60 Hz 220-240 V	50 Hz 3 x 380-415 V	50/60 Hz 220-240 V 3 x 380-415 V
		Description/kit No	96545200	96545201	96645534
172	Shaft with rotor	1	1	1	1

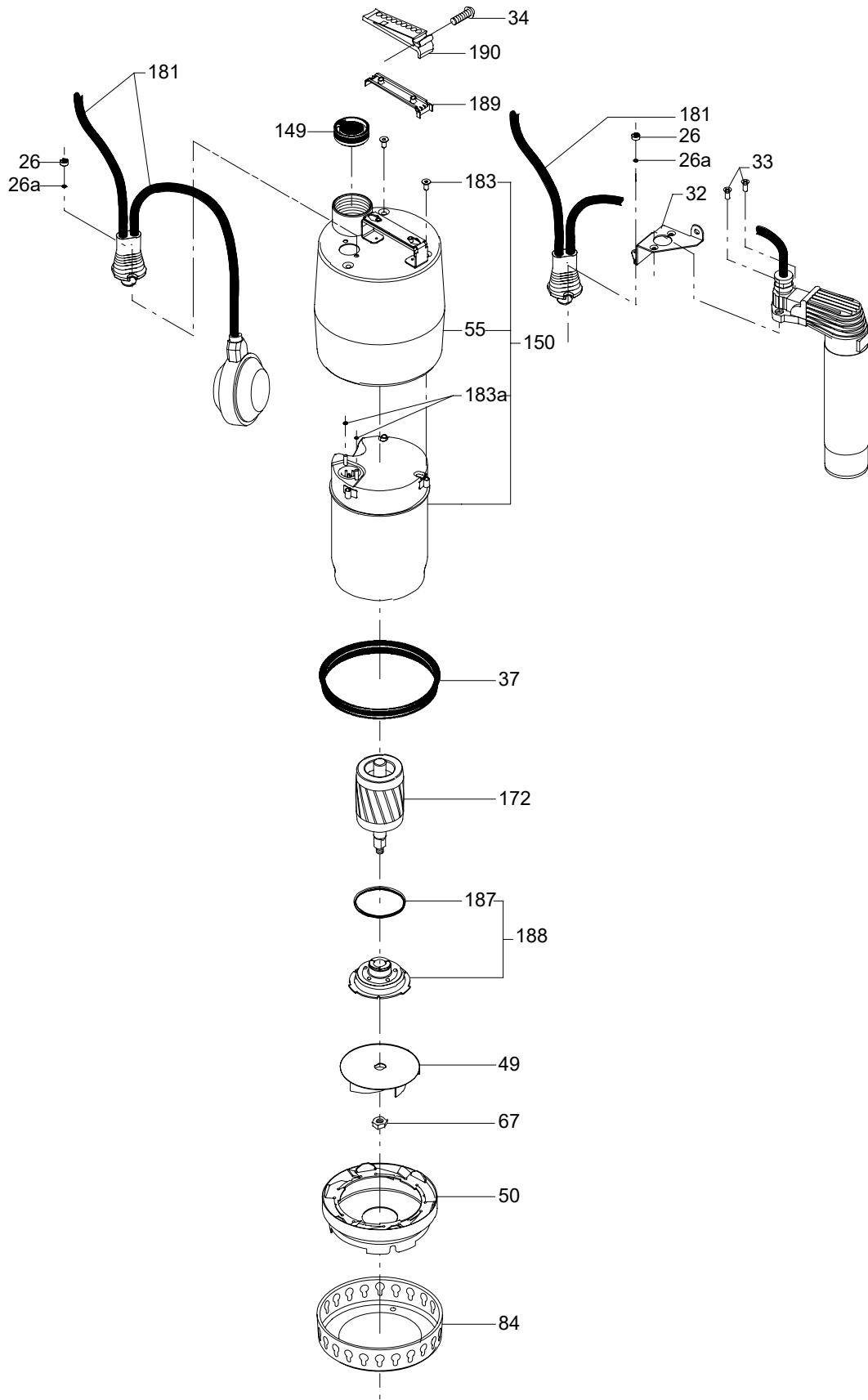
Pos.	Plug type	None								
		Kit No	96590416	16726	16739	96590417	16738	16724	96590414	96590415
		Switch	-	-	Level switch	Level switch	Level switch	Float switch	Float switch	Float switch
	Phase	1	1	1	1	1	1	1	1	
	Cable length [m]	5	10	3	5	10	3	5	10	
26	Nut	2	2	2	2	2	2	2	2	
26a	Washer	2	2	2	2	2	2	2	2	
32	Holder for level switch	-	-	1	1	1	-	-	-	
33	Screw	-	-	2	2	2	-	-	-	
34	Screw	-	-	1	1	1	-	1	-	
181	Cable complete	1	1	1	1	1	1	1	1	

Pos.	Plug type	None			
		Kit No	16732	16730	16731
		Switch			
	Phase	3, 200 V	3	3	
	Cable length [m]	5	5	10	
26	Nut	2	2	2	
26a	Washer	2	2	2	
181	Cable complete	1	1	1	

Upper guide rail holder

Pos.	Kit No	96829356
	Description	DN 40
-	Upper guide rail holder 3/4" (material 1.4301)	1

Unilift KP



TM001639

96488862 06.2022

GRUNDFOS Holding A/S
Poul Due Jensens Vej 7
DK-8850 Bjerringbro
Tel: +45 87 50 14 00
www.grundfos.com

GRUNDFOS 